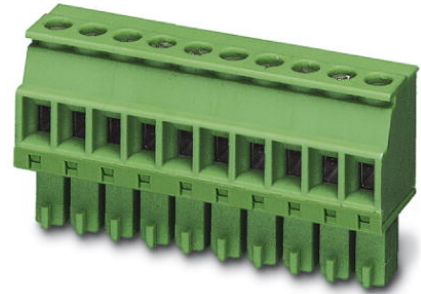


## MCVR 1,5/ 4-ST-3,81

Order No.: 1827143

The figure shows a 10-position version of the product

<http://eshop.phoenixcontact.de/phoenix/treeViewClick.do?UID=1827143>Plug component, nominal current: 8 A, rated voltage: 160 V, pitch:  
3.81 mm, no. of positions: 4, type of connection: Screw connection

### Commercial data

|                          |                    |
|--------------------------|--------------------|
| EAN                      | 4017918050092      |
| Pack                     | 50 Pcs.            |
| Customs tariff           | 85366990           |
| Weight/Piece             | 0.003548 KG        |
| Catalog page information | Page 128 (CC-2007) |

### Product notes

WEEE/RoHS-compliant since:  
01/01/2003

<http://www.download.phoenixcontact.com>  
Please note that the data given here has been taken from the online catalog. For comprehensive information and data, please refer to the user documentation. The General Terms and Conditions of Use apply to Internet downloads.

### Technical data

#### Dimensions / positions

|                        |          |
|------------------------|----------|
| Pitch                  | 3.81 mm  |
| Dimension a            | 11.43 mm |
| Number of positions    | 4        |
| Screw thread           | M 2      |
| Tightening torque, min | 0.22 Nm  |

**Technical data**

|                                    |  |
|------------------------------------|--|
| Insulating material group          | I  |
| Rated surge voltage (III/3)        | 2.5 kV   |
| Rated surge voltage (III/2)        | 2.5 kV   |
| Rated surge voltage (II/2)         | 2.5 kV   |
| Rated voltage (III/2)              | 160 V  |
| Rated voltage (II/2)               | 320 V  |
| Connection in acc. with standard   | EN-VDE   |
| Nominal current $I_N$              | 8 A  |
| Nominal voltage $U_N$              | 160 V  |
| Nominal cross section              | 1.5 mm <sup>2</sup>                                    |
| Maximum load current               | 8 A (with 1.5 mm <sup>2</sup> conductor cross section) |
| Insulating material                | PA   |
| Inflammability class acc. to UL 94 | V0   |
| Internal cylindrical gage          | A1   |
| Stripping length                   | 7 mm   |

**Connection data**

|  |                      |
|--|----------------------|
| Conductor cross section solid min.   | 0.14 mm <sup>2</sup> |
| Conductor cross section solid max.   | 1.5 mm <sup>2</sup>  |
| Conductor cross section stranded min.                                      | 0.14 mm <sup>2</sup> |
| Conductor cross section stranded max.                                      | 1.5 mm <sup>2</sup>  |
| Conductor cross section stranded, with ferrule without plastic sleeve min. | 0.25 mm <sup>2</sup> |
| Conductor cross section stranded, with ferrule without plastic sleeve max. | 1.5 mm <sup>2</sup>  |
| Conductor cross section stranded, with ferrule with plastic sleeve min.    | 0.25 mm <sup>2</sup> |
| Conductor cross section stranded, with ferrule with plastic sleeve max.    | 0.5 mm <sup>2</sup>  |
| Conductor cross section AWG/kcmil min.                                     | 28                   |
| Conductor cross section AWG/kcmil max                                      | 16                   |
| 2 conductors with same cross section, solid min.                           | 0.08 mm <sup>2</sup> |
| 2 conductors with same cross section, solid max.                           | 0.5 mm <sup>2</sup>  |
| 2 conductors with same cross section, stranded min.                        | 0.08 mm <sup>2</sup> |

|   |                      |
|---|----------------------|
| 2 conductors with same cross section, stranded max.                                     | 0.75 mm <sup>2</sup> |
| 2 conductors with same cross section, stranded, ferrules without plastic sleeve, min.   | 0.25 mm <sup>2</sup> |
| 2 conductors with same cross section, stranded, ferrules without plastic sleeve, max.   | 0.34 mm <sup>2</sup> |
| 2 conductors with same cross section, stranded, TWIN ferrules with plastic sleeve, min. | 0.5 mm <sup>2</sup>  |
| 2 conductors with same cross section, stranded, TWIN ferrules with plastic sleeve, max. | 0.5 mm <sup>2</sup>  |

### Certificates / Approvals



#### CSA

|                                |       |
|--------------------------------|-------|
| Nominal voltage U <sub>N</sub> | 300 V |
| Nominal current I <sub>N</sub> | 8 A   |
| AWG/kcmil                      | 28-16 |

#### CUL

|                                |       |
|--------------------------------|-------|
| Nominal voltage U <sub>N</sub> | 300 V |
| Nominal current I <sub>N</sub> | 8 A   |
| AWG/kcmil                      | 30-14 |

#### UL

|                                |                                 |
|--------------------------------|---------------------------------|
| Nominal voltage U <sub>N</sub> | 300 V                           |
| Nominal current I <sub>N</sub> | 8 A                             |
| AWG/kcmil                      | 30-14                           |
| Certification                  | CB, CSA, CUL, GOST, UL, VDE-PZI |

### Accessories

| Item    | Designation              | Description  |
|---------|--------------------------|--|
| 0804109 | SK 3,81/2,8:FORTL.ZAHLEN | Marker card, printed horizontally, self-adhesive, 10-section marker strip, 14 identical decades marked 1-10, 11-20 etc. up to 91-(99)100, sufficient for 140 terminal blocks |

**Tools**

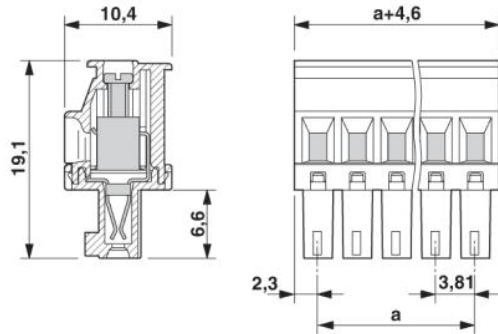
|         |             |  |
|---------|-------------|--|
| 1205037 | SZS 0,4X2,5 | Screwdriver, bladed, matches all screw terminal blocks up to 1.5 mm <sup>2</sup> connection cross section, blade: 0.4 x 2.5 mm |
|---------|-------------|--|

**Additional products**

| Item           | Designation          | Description   |
|----------------|----------------------|---|
| <b>General</b> |                      |   |
| 1897827        | EMC 1,5/ 4-G-3,81    | Header, nominal current: 8 A, rated voltage: 160 V, pitch: 3.81 mm, no. of positions: 4, mounting: press in                           |
| 1860663        | EMCV 1,5/ 4-G-3,81   | Header, nominal current: 8 A, rated voltage: 160 V, pitch: 3.81 mm, no. of positions: 4, mounting: press in                           |
| 1857906        | IMC 1,5/ 4-ST-3,81   | Plug component, nominal current: 8 A, rated voltage: 160 V, pitch: 3.81 mm, no. of positions: 4, type of connection: Screw connection |
| 1803293        | MC 1,5/ 4-G-3,81     | Header, nominal current: 8 A, rated voltage: 160 V, pitch: 3.81 mm, no. of positions: 4, mounting: Soldering                          |
| 1908787        | MC 1,5/ 4-G-3,81 THT | Header, nominal current: 8 A, rated voltage: 160 V, pitch: 3.81 mm, no. of positions: 4, mounting: SMD/THT                            |
| 1829976        | MCD 1,5/ 4-G-3,81    | Header, nominal current: 8 A, rated voltage: 160 V, pitch: 3.81 mm, no. of positions: 4, mounting: Soldering                          |
| 1843091        | MCD 1,5/ 4-G1-3,81   | Header, nominal current: 8 A, rated voltage: 160 V, pitch: 3.81 mm, no. of positions: 4, mounting: Soldering                          |
| 1830428        | MCDV 1,5/ 4-G-3,81   | Header, nominal current: 8 A, rated voltage: 160 V, pitch: 3.81 mm, no. of positions: 4, mounting: Soldering                          |
| 1847741        | MCDV 1,5/ 4-G1-3,81  | Header, nominal current: 8 A, rated voltage: 160 V, pitch: 3.81 mm, no. of positions: 4, mounting: Soldering                          |
| 1861743        | MCO 1,5/ 4-GL-3,81   | Header, nominal current: 8 A, rated voltage: 125 V, pitch: 3.81 mm, no. of positions: 4, mounting: Soldering                          |
| 1861662        | MCO 1,5/ 4-GR-3,81   | Header, nominal current: 8 A, rated voltage: 125 V, pitch: 3.81 mm, no. of positions: 4, mounting: Soldering                          |
| 1803442        | MCV 1,5/ 4-G-3,81    | Header, nominal current: 8 A, rated voltage: 160 V, pitch: 3.81 mm, no. of positions: 4, mounting: Soldering                          |
| 1837120        | MCVDU 1,5/ 4-G-3,81  | Header, nominal current: 8 A, rated voltage: 160 V, pitch: 3.81 mm, no. of positions: 4, mounting: Soldering                          |
| 1832756        | MCVK 1,5/ 4-G-3,81   | Header, nominal current: 8 A, rated voltage: 160 V, pitch: 3.81 mm, no. of positions: 4, mounting: Mounting rail                      |
| 1827295        | SMC 1,5/ 4-G-3,81    | Header, nominal current: 8 A, rated voltage: 160 V, pitch: 3.81 mm, no. of positions: 4, mounting: Soldering                          |

## Drawings

### Dimensioned drawing



**Address**

PHOENIX CONTACT GmbH & Co. KG  
Flachmarktstr. 8  
32825 Blomberg, Germany  
Phone +49 5235 3 00  
Fax +49 5235 3 41200  
<http://www.phoenixcontact.de>



© 2008 Phoenix Contact  
Technical modifications reserved;